

# Ex



## 2-3.5 t

H SERIES EXPLOSION-PROOF  
DIESEL FORKLIFT

### Standard equipment

- Explosion proof horn
- Explosion proof lamp
- Explosion-proof instrument
- Original ISUZU engines
- Exhaust flame arrester
- spark eliminator
- Explosion-proof starter
- Explosion-proof generator
- Explosion-proof start-up battery
- Integrated inlet exhaust system
- Antistatic pneumatic tire
- Antistatic semi-suspension seat
- Engine flame out device
- Electro-hydraulic direction changing
- Cable type parking brake
- Driver's tool
- Tilt oil circuit self lock valve
- Tilt adjustable steering column
- Overhead guard rain cover
- Standard explosion proof fork
- Wide view mast

### Optional

- Driver's cab
- Explosion proof warning lamp
- Oil bath air filter
- Explosion proof reversing buzzer
- Antistatic suspension seat
- Explosion proof warm air blower
- Antistatic solid tyre
- Widen fork arm carrier
- Wind shield
- Explosion proof rear working light
- Tilting cylinder bush
- Customer made color
- Optional attachments
- Steel protection net
- Antistatic double-tyre and protection device
- Low speed alarm
- Manual/Automatic operate wiper washer
- Stainless steel lengthening fork
- Wide view full free mast



**ANHUI HELI CO., LTD.**  
HENGYANG HELI INDUSTRIAL VEHICLE CO.,LTD.

ADD: NO.668 Fangxing Street,Economical Development Zone,Hefei,P.R.China  
TEL : (86 551)63639068,63639258,63639358,63662105  
FAX : (86 551)63639966  
WEBSITE : <http://www.helichina.net>  
Email : [hel@helichina.net](mailto:hel@helichina.net)

AUTHORIZED DEALER

## 2-3.5 t

H SERIES EXPLOSION-PROOF  
DIESEL FORKLIFT

# Ex



**H series** / SECURITY · RELIABILITY  
COMFORTABLE · LOW NOISE

**ANHUI HELI CO., LTD.**  
HENGYANG HELI INDUSTRIAL VEHICLE CO.,LTD.





## Ex

## 2-3.5 t

H SERIES EXPLOSION-PROOF  
DIESEL FORKLIFT

### Standard equipment

- Explosion proof horn
- Explosion proof lamp
- Explosion-proof instrument
- Original ISUZU engines
- Exhaust flame arrester
- spark eliminator
- Explosion-proof starter
- Explosion-proof generator
- Explosion-proof start-up battery
- Integrated inlet exhaust system
- Antistatic pneumatic tire
- Antistatic semi-suspension seat
- Engine flame out device
- Electro-hydraulic direction changing
- Cable type parking brake
- Driver's tool
- Tilt oil circuit self lock valve
- Tilt adjustable steering column
- Overhead guard rain cover
- Standard explosion proof fork
- Wide view mast

### Optional

- Driver's cab
- Explosion proof warning lamp
- Oil bath air filter
- Explosion proof reversing buzzer
- Antistatic suspension seat
- Explosion proof warm air blower
- Antistatic solid tyre
- Widen fork arm carrier
- Wind shield
- Explosion proof rear working light
- Tilting cylinder bush
- Customer made color
- Optional attachments
- Steel protection net
- Antistatic double-tyre and protection device
- Low speed alarm
- Manual/Automatic operate wiper washer
- Stainless steel lengthening fork
- Wide view full free mast



**ANHUI HELI CO., LTD.**  
HENGYANG HELI INDUSTRIAL VEHICLE CO.,LTD.  
ADD: NO.668 Fangqing Street,Economical Development Zone,Hefei,P.R.China  
TEL: (86 551)63639068,63639258,63639358,63662105  
FAX: (86 551)63639966  
WEBSITE: http://www.helichina.net  
Email: heli@helichina.net

AUTHORIZED DEALER



## 2-3.5 t

H SERIES EXPLOSION-PROOF  
DIESEL FORKLIFT

## Ex

**H series** / SECURITY · RELIABILITY  
COMFORTABLE · LOW NOISE

**ANHUI HELI CO., LTD.**  
HENGYANG HELI INDUSTRIAL VEHICLE CO.,LTD.

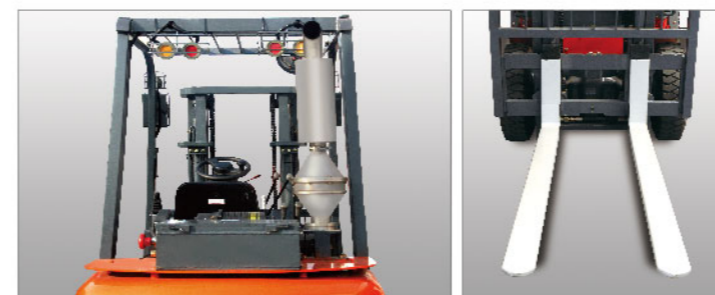
## 2-3.5 t

H SERIES EXPLOSION-PROOF  
DIESEL FORKLIFT

### Reliable forklift

Hengyang HELI is the developer and manufacturer of China's first explosion-proof forklift truck, carrier and tractor, and the joint maker of General Rules of Explosion-proof Techniques of Industrial Trucks for Explosive Atmospheres (GB19854). The H series internal-combustion explosion-proof forklift truck was developed based on HELI's 30 years of explosion-proof product research and development experience, the world's most advanced explosion-proof technology, and assistance of foreign expert team. This series meets European standard EN1755 and China's national explosion-proof standard GB19854. The products of this series enjoy explosion-proof sign of Ex d e i b mb IIB T4 Gb & Ex tD A21 IP65 T135°C Db, which are applicable in zone 1 and 2, zone 21 and 22, boasting a high explosion-proof performance and wide application.

### Security



- Aluminum plate-fin type water box and exhaust gas heat exchanger effectively control the temperature of engine and exhaust;
- Intelligent temperature monitoring system monitors the vehicle surface, cooling water and exhaust temperature in a real-time manner, ensuring safe operation;
- Intake valve can automatically stop the engine when an abnormal situation happens to the vehicle;
- Exhaust flame arrester and spark eliminator can eliminate the engine exhaust sparks;
- Brake pad monitoring unit can testing and feedback the temperature and wear extent of brake shoe, ensuring safe operation;
- Antistatic cooling fan and belt, antistatic leather seats and conducting electrostatic tires prevent electrostatic accumulation on vehicle;
- Stainless fork sleeves can effectively eliminate the mechanical sparks and upgrade the durability.

### Low noise

- Integrated isolation bearing connects to the cab, effectively absorbing the noise generated by body vibration;
- Fully-enclosed cab effectively isolates the noise of chassis;
- Lifting system is equipped with buffer device to reduce the door frame shock vibration, effectively avoid the noises in the process of cargo lifting and lowering.



### Reliability



- Patented non-contact explosion-proof loudspeaker is durable;
- LED explosion-proof lights and signal lights enjoy a long service life and energy saving quality;
- Explosion-proof generator and starter motor boast a protection grade of IP65, which are stable, safe and reliable;
- Gearbox, drive axle, steering axle and other key drive parts are produced by using advanced manufacturing equipment and introduced technologies;
- Intrinsically safe integrated control circuit monitors and displays the vehicle operation state (brake temperature rise and wear extent, exhaust temperature, radiator water temperature, vehicle electric leakage, etc.) in a real-time manner to ensure reliable operation;
- Imported engine and high quality drive system guarantee powerful, stable and reliable operation.

### Comfortable



- Anti-static and comfortable leather seats;
- Special explosion-proof instrument is arranged to the right to facilitate observation;
- Large headroom and legroom give more comfortable operation;
- Wide-field-of-view door frame; Standard wide-view mast, provide a wide and clear sight for operator.
- Small-diameter steering wheel has comfortable grip and relieves the fatigue of drivers.



# 2-3.5 t

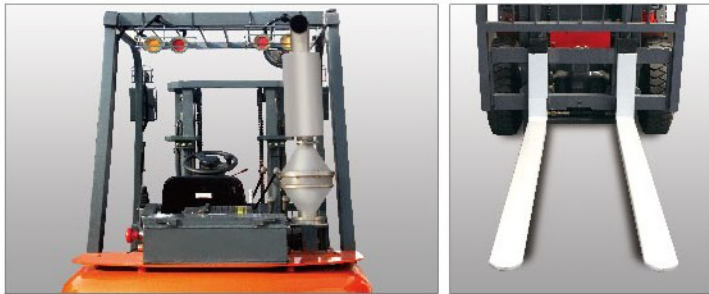
## H SERIES EXPLOSION-PROOF DIESEL FORKLIFT

# Ex

### Reliable forklift

Hengyang HELI is the developer and manufacturer of China's first explosion-proof forklift truck, carrier and tractor, and the joint maker of General Rules of Explosion-proof Techniques of Industrial Trucks for Explosive Atmospheres (GB19854). The H series internal-combustion explosion-proof forklift truck was developed based on HELI's 30 years of explosion-proof product research and development experience, the world's most advanced explosion-proof technology, and assistance of foreign expert team. This series meets European standard EN1755 and China's national explosion-proof standard GB19854. The products of this series enjoy explosion-proof sign of Ex d e i b mb IIB T4 Gb & Ex tD A21 IP65 T135 C Db, which are applicable in zone 1 and 2, zone 21 and 22, boasting a high explosion-proof performance and wide application.

### Security



- Aluminum plate-fin type water box and exhaust gas heat exchanger effectively control the temperature of engine and exhaust;
- Intelligent temperature monitoring system monitors the vehicle surface, cooling water and exhaust temperature in a real-time manner, ensuring safe operation;
- Intake valve can automatically stop the engine when an abnormal situation happens to the vehicle;
- Exhaust flame arrester and spark eliminator can eliminate the engine exhaust sparks;
- Brake pad monitoring unit can testing and feedback the temperature and wear extent of brake shoe, ensuring safe operation;
- Antistatic cooling fan and belt, antistatic leather seats and conducting electrostatic tires prevent electrostatic accumulation on vehicle;
- Stainless fork sleeves can effectively eliminate the mechanical sparks and upgrade the durability.

### Low noise

- Integrated isolation bearing connects to the cab, effectively absorbing the noise generated by body vibration;
- Fully-enclosed cab effectively isolates the noise of chassis;
- Lifting system is equipped with buffer device to reduce the door frame shock vibration, effectively avoid the noises in the process of cargo lifting and lowering.



### Reliability



- Patented non-contact explosion-proof loudspeaker is durable;
- LED explosion-proof lights and signal lights enjoy a long service life and energy saving quality;
- Explosion-proof generator and starter motor boast a protection grade of IP65, which are stable, safe and reliable;
- Gearbox, drive axle, steering axle and other key drive parts are produced by using advanced manufacturing equipment and introduced technologies;
- Intrinsically safe integrated control circuit monitors and displays the vehicle operation state (brake temperature rise and wear extent, exhaust temperature, radiator water temperature, vehicle electric leakage, etc.) in a real-time manner to ensure reliable operation;
- Imported engine and high quality drive system guarantee powerful, stable and reliable operation.

### Comfortable



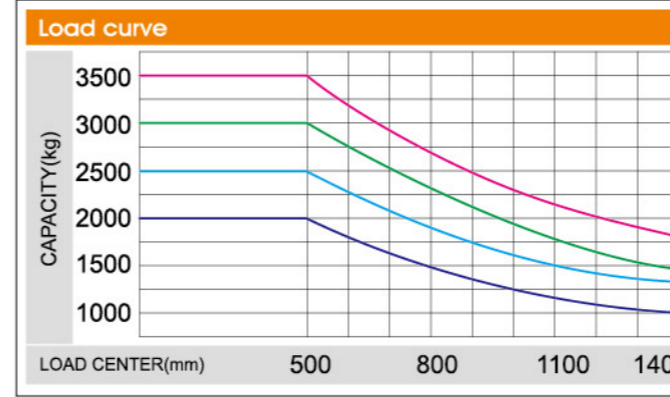
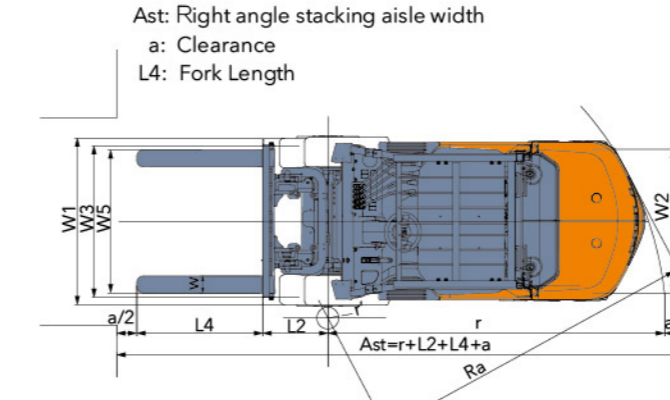
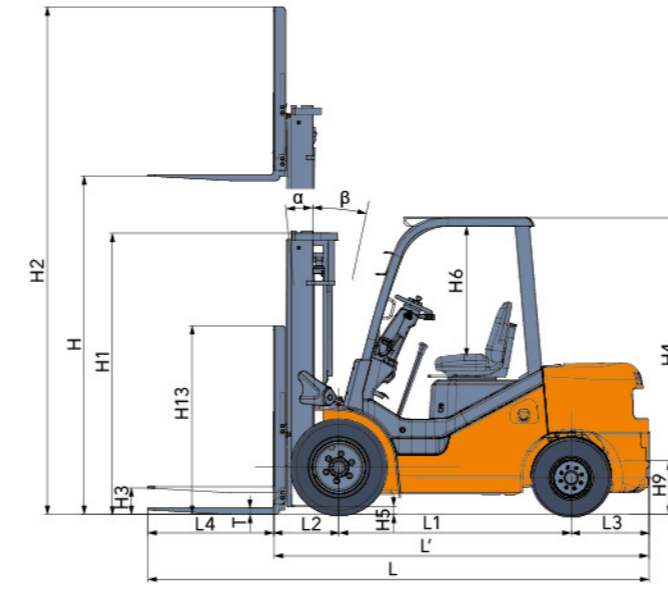
- Anti-static and comfortable leather seats;
- Special explosion-proof instrument is arranged to the right to facilitate observation;
- Large headroom and legroom give more comfortable operation;
- Wide-field-of-view door frame; Standard wide-view mast, provide a wide and clear sight for operator.
- Small-diameter steering wheel has comfortable grip and relieves the fatigue of drivers.



# 2-3.5 t H SERIES EXPLOSION-PROOF DIESEL FORKLIFT



Manufacturer and technical parameters										
Character										
1.01	Manufacturer	HELI								
1.02	Model	CPC20FB	CPC25FB	CPC30FB	CPC35FB	CPCD20FB	CPCD25FB	CPCD30FB	CPCD35FB	
1.03	Rated capacity	kg	2000	2500	3000	3500	2000	2500	3000	3500
1.04	Load center	mm	500							
1.05	Operation mode	Seat-type								
Size										
2.01	Max.lifting height	H	mm	3000	3000	3000	3000	3000	3000	3000
2.02	Mast overall height(Fork to the ground and mast be vertical)	H1	mm	2000	2000	2065	2180	2000	2000	2180
2.03	Max.fork lifting height(With backrest)	H2	mm	4030	4030	4245	4235	4030	4030	4235
2.04	Free lift height	H3	mm	165	165	160	170	165	160	170
2.05	Overall height(Overhead guard)	H4	mm	2150	2150	2170	2170	2150	2170	2170
2.06	Min.ground clearance(At the mast)	H5	mm	115	115	135	135	115	135	135
2.07	Distance from the surface of the seat to the overhead guard	H6	mm	1030	1030	1030	1030	1030	1030	1030
2.08	Traction pin height	H9	mm	275	275	280	280	275	280	280
2.09	Backrest height(Calculated from the surface of the fork)	H13	mm	1000	1000	1227	1222	1000	1000	1227
2.10	Overall length(With fork/Without fork)	L/L'	mm	3500/2580	3708/2638	3818/2748	3836/2766	3500/2580	3708/2638	3818/2748
2.11	Wheel base	L1	mm	1650	1650	1700	1700	1650	1650	1700
2.12	Front overhang	L2	mm	473	473	478	496	473	478	496
2.13	Rear overhang	L3	mm	457	515	570	570	457	515	570
2.14	Overall width	W1	mm	1150	1150	1225	1225	1150	1150	1225
2.15	Tread (Front tread/Rear tread)	W3/W2	mm	970/970	970/970	1000/970	1000/970	970/970	1000/970	1000/970
2.16	Fork adjustable range(the external of the fork)(Max./Min.)	W5	mm	1030/244	1030/244	1060/250	1060/250	1030/244	1060/250	1060/250
2.17	Min.turning radius(Exterior)	r	mm	2255	2310	2400	2440	2255	2310	2440
2.18	Min.turning radius(Interior)	r'	mm	180	180	200	200	180	180	200
2.19	Min.right angle stacking aisle width	Ra	mm	2274	2330	2380	2415	2274	2330	2415
2.20	Mast tilting angle	α/β	°	6°/12°	6°/12°	6°/12°	6°/12°	6°/12°	6°/12°	6°/12°
2.21	Fork size	L4×W×T	mm	920×122×40	1070×122×40	1070×125×45	1070×125×50	920×122×40	1070×122×40	1070×125×50
Weight										
3.01	Total weight	kg	3608	4000	4530	4960	3608	4000	4530	4960
Wheel and tyre										
4.01	Wheel number x = drive wheel (Front/Rear)	2X/2								
4.02	Tyre type(Front/Rear)	Static conductive pneumatic tyre								
4.03	Tyre size(Front/Rear)	7.00-12-12PR/6.00-9-10PR		7.00-12-12PR/6.00-9-10PR		28×9-15-12PR/6.50-10-10PR		28×9-15-14PR/6.50-10-10PR		7.00-12-12PR/6.00-9-10PR
4.04	Service brake	Hydraulic-Foot Pedal								
4.05	Parking brake	Mechanical-Hand Lever								
Performance										
5.01	Max.drawer pull (Loaded/Unloaded)	kN	12.5/8.5	15/8.5	17/14.5	18/14.5	16/11.5	16.5/11.5	19/14.5	21/14.5
5.02	Max.Gradeability (Loaded/Unloaded)	%	20/20	20/20	15/20	15/15	20/20	20/20	15/20	15/15
5.03	Max.traveling speed (Loaded/Unloaded)	km/h	17/19	17/19	19/20	19/19	17/19	19/20	17/19	19/19
5.04	Lifting Speed (Loaded/Unloaded)	mm/s	560/600	560/600	500/550	400/420	560/600	500/550	400/420	400/420
5.05	Lowing Speed (Loaded/Unloaded)	mm/s	450/500	450/500	450/550	350/400	450/500	450/500	450/550	350/400
Drive and transmission control device										
6.01	Engine mode	ISUZU C240PKJ								
6.02	Engine rated power	kW/rpm	35.4/2500							
6.03	Engine rated torque	Nm/rpm	139/1800							
6.04	Engine cylinder number-borexstroke	L	4-86×102							
6.05	Engine displacement		2.369							
6.06	Engine type		Diesel							
6.07	Battery(Voltage/Capacity)	V/Ah	12/80							
6.08	Engine fuel tank capacity	L	60							
6.09	Transmission box shifting gears(Front/Rear type)		T/M 1-1Power Shift T/M / T/M 2-2 Manual Shift T/M							



CPCD20FB/ CPCD20FB CPCD25FB/ CPCD25FB CPCD30FB/ CPCD30FB CPCD35FB/ CPCD35FB

**Note:** The vertical axis stands for load capacity and the horizontal axis stands for load center which is calculated from the front of the fork. The base point of the standard load refers to the center position of the cube with 1000mm length of side. When mast is tilted forward, nonstandard fork usage or load with over wide goods, load capacity will be reduced. Different load capacity in different load center can be known in time through load chart.

WIDE VIEW MAST													
Mast model	Max. lifting height (mm)	Load capacity (load center 500mm)(kg)				Mast overall height (fork to the ground)(mm)			Service weight (kg)				Mast tilting angle (°) α/β
		CPC(D) 20FB	CPC(D) 25FB	CPC(D) 30FB	CPC(D) 35FB	2-2.5t	3t	3.5t	CPC(D) 20FB	CPC(D) 25FB	CPC(D) 30FB	CPC(D) 35FB	
M200	2000	2000	2500	3000	3500	1500	1570	1680	3340	3720	4280	4700	6/12
M250	2500	2000	2500	3000	3500	1750	1820	1930	3385	3765	4335	4750	6/12
M300	3000	2000	2500	3000	3500	2000	2070	2180	3420	3800	4370	4800	6/12
M330	3300	2000	2500	3000	3500	2150	2220	2330	3460	3840	4395	4830	6/12
M350	3500	2000	2500	3000	3500	2250	2320	2430	3480	3860	4420	4850	6/12
M370	3700	2000	2500	3000	3500	2350	2420	2530	3500	3880	4430	4870	6/6
M400	4000	2000	2500	3000	3500	2550	2620	2730	3565	3945	4490	4940	6/6
M425	4250	1900	2250	2850	3100	2675	2745	2855	3590	3970	4510	4970	6/6
M450	4500	*1900	*2400	*3000	*3500	2800	2870	2980	3615	3995	4535	4990	6/6
M500	5000	1600	1650	2400	2500	3050	3120	3230	3655	4035	4575	5040	6/6
M550	5500	*1700	*2200	*2850	*2850	3350	3420	3530	3740	4120	4745	5245	*3/6
M600	6000	*1500	*1800	*2200	*2300	3600	3670	3780	3785	4165	4795	5285	*3/6

Note: (1) \*stands for the rated capacity when the front tyre is double-tyre. (2) When the front tyre of the 2-3.5t truck is double tyre, the service weight of the truck is the weight in the table plus 110kg.

WIND VIEW FULL FREE 2-STAGE MAST																
Mast model	Max. lifting height (mm)	Load capacity (load center 500mm)(kg)				Mast overall height (fork to the ground)(mm)			Free lifting height (with backrest)(mm)			Service weight (kg)				Mast tilting angle (°) α/β
		CPC(D) 20FB	CPC(D) 25FB	CPC(D) 30FB	CPC(D) 35FB	2-2.5t	3t	3.5t	2-2.5t	3t	3.5t	CPC(D) 20FB	CPC(D) 25FB	CPC(D) 30FB	CPC(D) 35FB	
ZM200	2000	2000	2500	3000	3500	1495	1570	1680	495	340	460	3470	3850	4330	4770	6/12
ZM250	2500	2000	2500	3000	3500	1745	1820	1930	745	590	710	3515	3895	4370	4820	6/12
ZM300	3000	2000	2500	3000	3500	1995	2070	2180	995	840	960	3565	3945	4420	4870	6/12
ZM330	3300	2000	2500	3000	3500	2145	2220	2330	1145	990	1100	3595	3975	4445	4895	6/12
ZM350	3500	2000	2500	3000	3500	2245	2320	2430	1245	1090	1210	3615	3995	4465	4915	6/12
ZM370	3700	2000	2500	3000	3500	2345	2420	2530	1370	1205	1310	3635	4015	4480	4935	6/6
ZM400	4000	2000	2500	3000	3500	2545	2620	2730	1545	1390	1510	3705	4085	4550	5000	6/6
ZM425	4250	1900	2250	2850	3100	2670	2745	2855	1670	1515	1635	3730	4110	4575	5025	6/6
ZM450	4500	*1900	*2400	*3000	*3500	2795	2870	2980	1795	1640	1760	3755	4135	4595	5050	6/6
ZM500	5000	1600	1650	2400	2500	3045	3120	3230	2045	1910	2010	3805	4185	4640	5100	*3/6
ZM550	5500	*1700	*2200	*2850	*2850	3345	3420	3530	2345	2190	2310	3890	4270	4830	5295	*3/6
ZM600	6000	*1500	*1800	*2200	*2300	3595	3670	3780	2595	2440	2560	3935	4315	4875	5350	*3/6

Note: (1) \*stands for the rated capacity when the front tyre is double-tyre. (2) When the front tyre of the 2-3.5t truck is double tyre, the service weight of the truck is the weight in the table plus 110kg. (3) The free lifting height (without backrest) of the 2-2.5t truck is the height (with backrest) in the table plus 432mm. The free lifting height (without backrest) of the 3t truck is the height (with backrest) in the table plus 568mm. The free lifting height (without backrest) of the 3.5t truck is the height (with backrest) in the table plus 505mm.

WIND VIEW FULL FREE 3-STAGE MAST																
Mast model	Max. lifting height (mm)	Load capacity (load center 500mm)(kg)				Mast overall height (fork to the ground)(mm)			Free lifting height (with backrest)(mm)			Service weight (kg)				Mast tilting angle (°) α/β
		CPC(D) 20FB	CPC(D) 25FB	CPC(D) 30FB	CPC(D) 35FB	2-2.5t	3t	3.5t	2-2.5t	3t	3.5t	CPC(D) 20FB	CPC(D) 25FB	CPC(D) 30FB	CPC(D) 35FB	
ZSM360	3600	2000	2400	2900	3300	1795	1946	1946	795	705	710	3715	4095	4610	4925	6-6
ZSM400	4000	1900	2400	2900	3300	1920	2065	2065	920	830	835	3745	4125	4640	4955	6-6
ZSM435	4350	*1900	*2400	*3000	*3100	2045	2190	2190	1045	955	960	3775	4155	4665	4980	6-6
ZSM450	4500	1750	2150	2700	2800	2095	2240	2240	1095	1005	1010	3785	4165	4680	4995	6-6
ZSM470	4700	*1800	*2300	*2900	*3000	2160	2240	2240	1160	1005	1010	3800	4180	4700	5015	6-6
ZSM480	4800	1700	1950	2500	2600	2195	2340	2340	1195	1105	1110	3805	4185	4720	5025	6-6
ZSM500	5000	*1750	*2250	*2750	*2850	2295	2440	2440	1295	1235	1210	3830	4210	4745	5060	6-6
ZSM540	5400	1450	1500	2250	2300	2420	2565	2565	1420	1305	1335	3860	4240	4775	5090	3-6
ZSM550	5500	*1700	*2150	*2650	*2700	2645	2790	2790	1645	1555	1560	3940	4320	4865	5180	3-6
ZSM600	6000	*1600	*1800	*2100	*2200	2645	2790	2790	1645	1555	1560	3940	4320	4865	5180	3-6

Note: (1) \*stands for the rated capacity when the front tyre is double-tyre. (2) When the front tyre of the 2-3.5t truck is double tyre, the service weight of the truck is the weight in the table plus 110kg. (3) The free lifting height (



**产品主要特点 Main product features**

- 整机外观造型独特，同时具有低噪、操作舒适，转弯半径小，转向轻便灵活、安全可靠等优点。
  - 传动系统采用液力传动，车辆换挡平稳。在外载荷突然增大时，发动机不易熄火，提高了作业效率，减轻了司机的劳动强度。
  - 采用三菱S6S进口发动机，动力强劲，油耗低。
  - 液压系统高效节能，有效降低整车的燃油消耗。
  - 采用动力制动，操作轻便省力，制动可靠。
  - 采用高强度门架专用型钢制作的宽视野门架，司机视野开阔。
  - 车辆具有高效、安全的报警指示系统，可实现故障实时监控及自动显示。
  - 可靠的进、排气系统阻火装置，确保了发动机在危险环境中工作的安全性。
  - 制动温度监控系统随时自动检测刹车鼓温度和蹄片磨损状态，车辆作业更加安全。
  - 15秒延时停机功能和自动停机装置，保证了车辆在各种工况下的安全。
  - 新型热交换器系统有效降低了发动机表面温度和排气的温度。
  - 专用的导静电轮胎，消除车辆作业静电积聚。
  - 不锈钢包覆货叉，持久耐磨，有效消除机械火花。
- The vehicle has unique appearance and shape with the advantages of low noise, comfortable operation, small turning radius, light and flexible steering, safety and reliability.
  - The transmission system adopts hydraulic transmission, and the vehicle shift is stable. When the external load increases suddenly, the engine is not easy to shut off, which improves the working efficiency and reduces the working intensity of the driver.
  - Mitsubishi S6S imported engine has strong power and low fuel consumption.
  - The hydraulic system can save energy efficiently and effectively reduce the fuel consumption of the whole vehicle.
  - Dynamic braking is adopted, which is light and labor-saving in operation and reliable in braking.
  - A wide view mast made of special shaped steel with high-strength mast is adopted. The driver has a wide view.
  - The vehicle has an efficient and safe alarm and indicator system, which can realize real-time monitoring and automatic display of faults.
  - Reliable fire retarding device of inlet and exhaust system ensures the safety of engine working in dangerous environment.
  - Brake temperature monitoring system can automatically detect brake drum temperature and shoe wear at any time, making the operation of the vehicle safer.
  - 15 second delay stop function and automatic stop device ensure the safety of vehicles under various working conditions.
  - The new heat exchanger system effectively reduces the engine surface temperature and exhaust temperature.
  - Special conductive tires to eliminate the accumulation of static electricity in vehicle operation.
  - Fork is covered with stainless steel which is durable and hard wearing, effectively eliminating mechanical sparkle.



**制造商和技术参数**

特性		Characteristics				
1.01	型号	Model	CPCD			
1.02	配置号	Configuration number	40FB-M3	45FB-M3	50FB-M3	
1.03	使用场所	Use area	Zone1& Zone2/Zone21 & Zone22			
1.04	整机防爆标志	Explosion proof mark	Ex d e ib mb IIB T4 Gb/ Ex tD ibD mbDA21 IP6X T130°C			
1.05	额定起重量	Rated capacity	kg	4000	4500	5000
1.06	载荷中心距	Load center distance	mm	500		
1.07	驾驶方式	Driving mode	座驾式 Drive style			
尺寸		Size				
2.01	最大起升高度H	Max.Lifting height	mm	3000	3000	3000
2.02	门架全高度H1	Mast full height	mm	2275	2275	2275
2.03	货叉起升最大高度H2	Max.Lifting height of fork	mm	4260	4260	4260
2.04	自由起升高度H3	Free lifting height	mm	150	150	140
2.05	全高H4	Full height	mm	2275	2275	2275
2.06	最小离地间隙(门架处)(空/满)H5	Min.Ground clearance loaded/unloaded	mm	170/150	170/150	170/150
2.07	座椅面至护顶架距离H6	Clearance between seat and overhead guard	mm	1000	1000	1000
2.08	全长(带货叉/不带货叉) L/L'	Full length,with fork/without fork	mm	4145/3070	4165/3090	4214/3139
2.09	全宽(车架处) W1	Full width (at frame)	mm	1480	1480	1480
2.10	轴距L1	Wheel base	mm	2000	2000	2000
2.11	轮距 前/后W3/W2	Wheel base ( front/rear )	mm	1180/1190	1180/1190	1180/1190
2.12	前悬L2	Front overhang	mm	555	560	560
2.13	后悬L3	Rear overhang	mm	520	540	584
2.14	货叉调节范围W5	Fork adjust aera	mm	300~1340	300~1340	300~1340
2.15	最小转弯半径(后外侧)r	Min.Turning radius,	mm	2720	2740	2800
2.16	最小直角通道宽度Ra	Min.Right angle stacking aisle width	mm	2480	2500	2550
2.17	门架倾角 前/后 α/β	Mast tilt angle, front/rear	°	6/12	6/12	6/12
2.18	货叉尺寸L4×W×T	Fork size	mm	1070×150×50	1070×150×50	1070×150×50
重量		Weight				
3.01	叉车质量(含油水)	Truck weight(including oil)	kg	6750	7050	7350
车轮和轮胎		Tyre				
4.01	车轮数量X=驱动轮(前/后)	Tyre number,drive tyre ( front/rear )		2X/2	2X/2	2X/2
4.02	轮胎类型(前/后)	Tyre type, ( front/rear )	导静电充气胎 Electrostatic pneumatic tubes			
4.03	车轮规格(前/后)	Tyre size, ( front/rear )		8.25-15-14PR/7.00-12-12PR	300-15-18PR/7.00-12-12PR	300-15-18PR/7.00-12-12PR
4.04	行车制动器	Service brake	液压-踏板式 Hydraulic-pedal type			
4.05	停车制动器	Parking brake	机械-手动式 Mechanical-Manual type			
性能		Performance				
5.01	最大牵引力(满/空载)	Max.Traction force ( loaded/unloaded )	kN	21.56	21.56	21.56
5.02	最大爬坡度(满/空载)	Max.Gradeability ( loaded/unloaded )	%	18/20	15/20	15/20
5.03	最大运行速度(满/空载)	Max.Travelling speed ( loaded/unloaded )	km/h	21/20	21/24	21/24
5.04	起升速度(满/空载)	Lifting speed ( loaded/unloaded )	mm/s	460/520	460/520	460/520
5.05	下降速度(满/空载)	Lowering speed ( loaded/unloaded )	mm/s	≤600/≥300	≤600/≥300	≤600/≥300
5.06	制动距离(空载)	Brake base ( unloaded )	m	≤5	≤5	≤5
驱动、传动控制装置		Drive and transmission control device				
6.01	发动机型号	Engine model	三菱S6S Mitsubishi S6S			
6.02	发动机额定功率	Engine rated power	kW	52	52	52
6.03	发动机额定转速	Engine rated	rpm	2300	2300	2300
6.04	发动机缸数	Engine cylinders	6缸水冷 6 cylinders of water cold			
6.05	发动机排量	Engine displacement	mL	4966	4966	4966
6.06	动力类型	Power type	柴油 diesel			
6.07	最大扭矩/转速	Max.Torque / speed	Nm/rpm	248/1700	248/1700	248/1700
6.08	蓄电池(电压/容量)	Battery voltage/capacity	V/A-h	12/80	24/80	24/80
6.09	变速箱变速挡数(前/后型式)	Transmission speed shift gear (front / rear type)	1-1动力换挡 Power shift/2-2手动换挡 Manual shift			